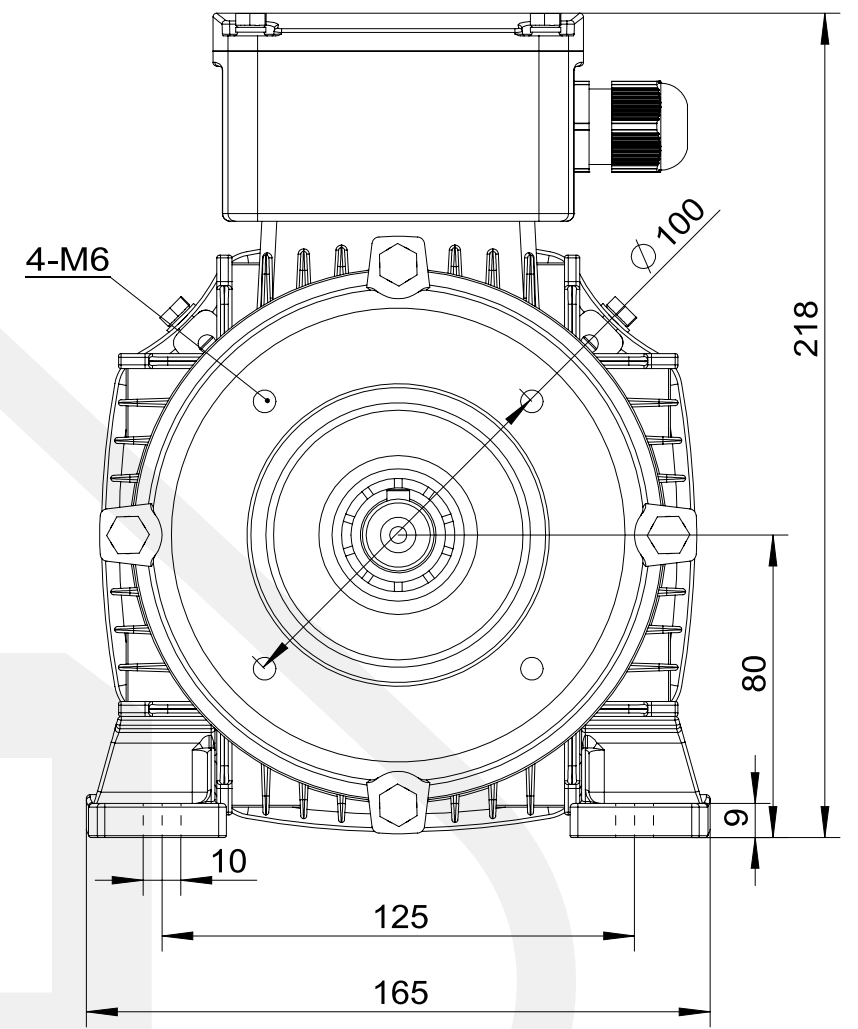


2-M25X1.5



Electric  s.r.o.

4AL-80-B34
Mounting diagram